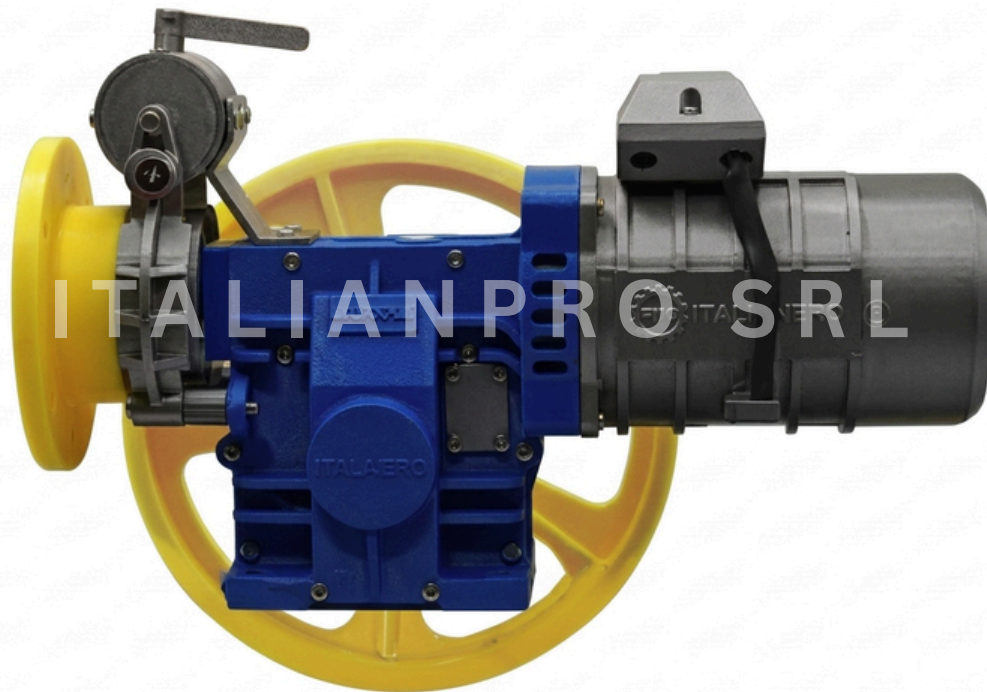




ITALIANPRO

ELEVATOR GEARED-GEARLESS
MACHINES & COMPONENTS

PRO063 Series Geared Machine



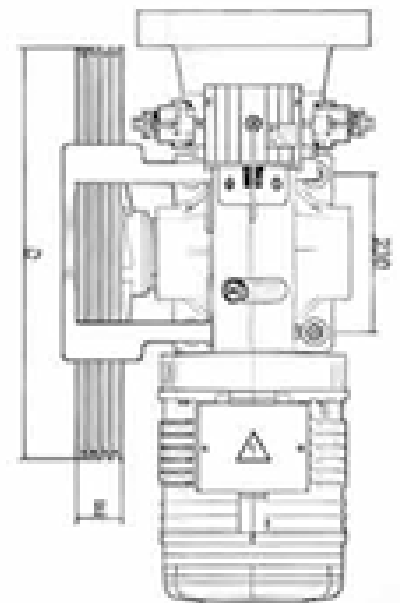
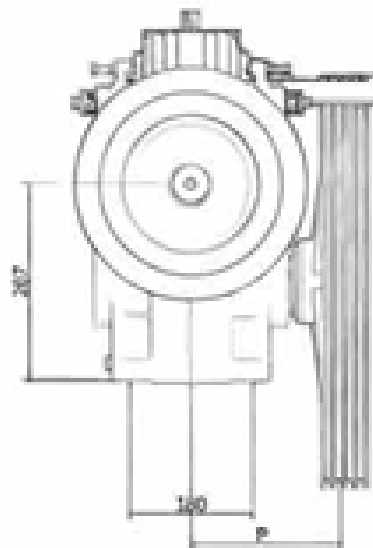
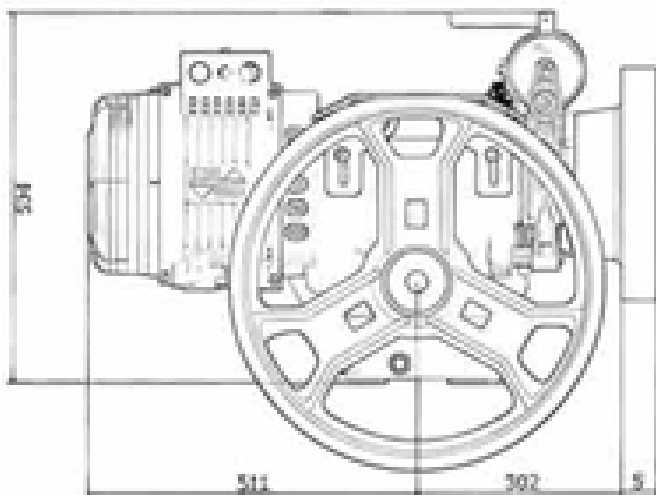


ITALIANPRO

ELEVATOR GEARED-GEARLESS MACHINES & COMPONENTS

50Hz	PRO063			SYNCHRONOUS POWER KWS			
				4.40	5.00	5.50	6.00
1500 1500/375 rpm 4-4/16 POLES	TRACTION SHEAVE Diamm	SPEED M/Sec	RATIO	SYNCHRONOUS POWER HP			
				6.00	6.70	7.50	8.00
DRIVE SYSTEM AC2 SP&VVVF ROPING 1:1	480	0.65	1.58	630	700		
	480	0.72	1.52	590	630	735	740
	480	0.84	1.45	510	580	635	680

60Hz	PRO063			SYNCHRONOUS POWER KWS			
				5.00	5.50	6.00	6.70
1800 1800/450 rpm 4-4/16 POLES	TRACTION SHEAVE Diamm	SPEED M/Sec	RATIO	SYNCHRONOUS POWER HP			
				6.70	7.50	8.00	9.00
DRIVE SYSTEM AC2 SP&VVVF ROPING 1:1	480	0.78	1.58	620	680	700	710
	480	0.87	1.52	558	624	646	726
	480	1.00	1.45	505	565	610	690



TRACTION SHEAVE
D (mm)

DISTANCE
P (mm)

FLYWELL DEPTH
S (mm)

TATIC LOAD
Kg (Kgs)

STATIC LOAD DIRECTION
(%)

480

205

15-50

2600

100%
100% 100%
100%